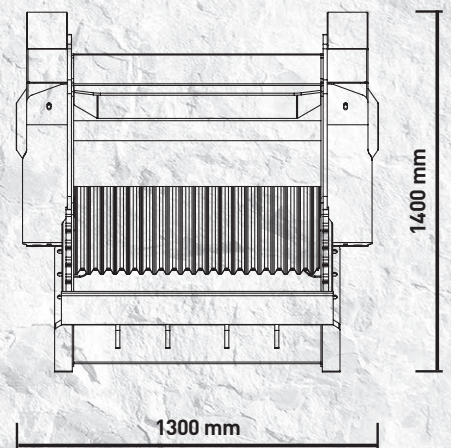
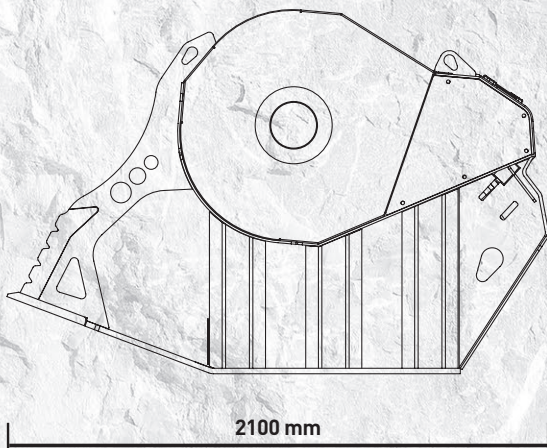


# BF 80.3



# “Light and **reliable**”



Suitable for excavators that exceed 18.5 Ton of weight, the crusher bucket BF 80.3 is compact, versatile and suitable for the operations of crushing and recycling of inert material or resulting from demolition (road works - excavations - pipes - pipelines).

In spite of its size and lower weight compared to larger models, it reaches productivity of 34 m<sup>3</sup> per hour.



## AREAS OF APPLICATION

- QUARRIES
- DEMOLITION
- RECYCLING
- EXCAVATION
- MINES
- ROAD WORKS

## SPECIFICATIONS

RECOMMENDED EXCAVATOR	LOAD CAPACITY	OPENING DIMENSIONS	OUTPUT SETTING	DIMENSIONS
≥ 18,5 Ton	0,70 m <sup>3</sup>	L 840 H 510 mm	≥ 15 ≤ 135 mm	2100 x 1300 H 1400 mm
OIL FLOW	PRESSURE	COUNTER PRESSURE	WEIGHT	MAXIMUM PRODUCTION
160 l/min.	230 bar	10 bar	3 Ton	34 m <sup>3</sup> /h

## ACCESSORIES

RECOMMENDED SPARE PARTS KIT	FIX COUPLER	QUICK FEMALE COUPLER	IRON SEPARATOR	HOUR METER
BF8030010	FC8030000	BF8030000	BF8030017	804MBNF01
			DUST SUPPRESSION KIT	24 MONTHS WARRANTY
			KNMB00L-KNMB00S-KNMB00M	WA248030

The data provided above is not binding, as the manufacturer reserves itself the right to make improvements to its products at any time and with no advance notice. References to excavator weights are approximate and many may be subject to changes. Consider a 20% tolerance.