

BROKK 260



The perfect all-round machine.

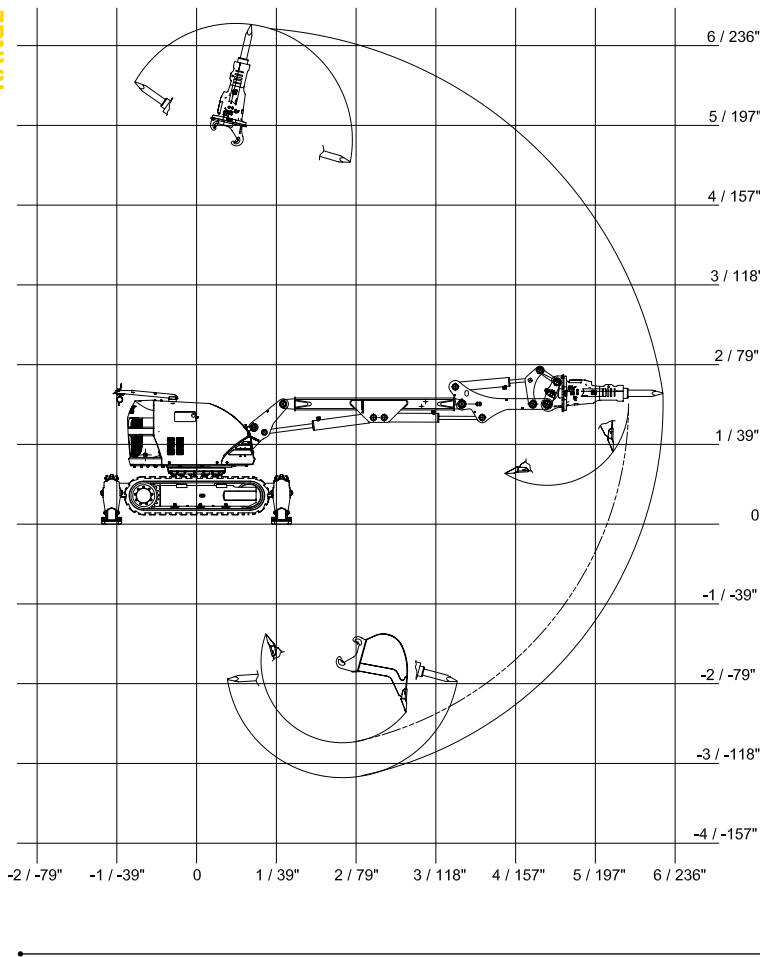
YEAR AFTER YEAR this is one of our most wanted demolition machine models, built to cope with the ever-increasing demands of the demolition industry. Since its original development in the mid 1970's, the Brokk 260 has an unmatched track record as the ideal all-around demolition machine. A powerful combination of reliable technology and continuous improvement from the basis of its worldwide reputation.

APPLICATIONS

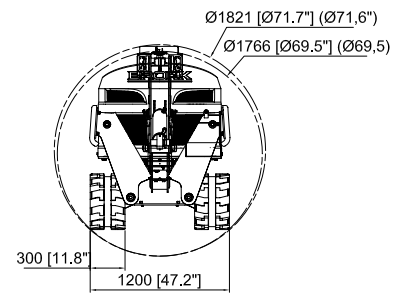
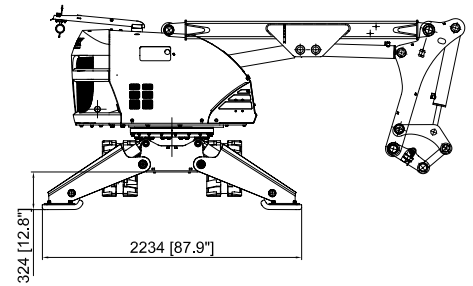
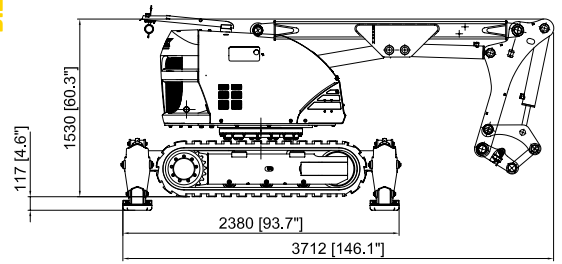
Designed as an all-around demolition machine for construction applications and the cement or process industries.

The Brokk 260 has exceptional capacity and remarkable hitting power. It can outperform much heavier conventional excavators yet is still agile and small enough to work in tight spaces. The only limits for this machine are those set by the imagination.

RANGE



SIZE



TECHNICAL DATA

Hydraulic breaker in illustrations SB 302
 Load and stability diagram can be ordered from Brokk AB

Performance

Slewing speed 18 sec/360°
 Transport speed, max. 2.7 km/h; 0.75 m/s; 1.7 mph
 Incline angle, max. 30°

Hydraulic system

Hydraulic system capacity 90 l; 23.8 US gal
 Pump type Variable load-sensing piston pump
 System pressure, standard 17.0 MPa; 2,466 psi
 System pressure, max** 25 MPa; 3,626 psi
 Oil flow max* 50Hz 100 l/min; 26.5 US gal/min
 60Hz 120 l/min; 31.7 US gal/min

Electric motor

Type ABB
 Output*** 22 kW
 Current*** 49 A
 Starting device Soft start/Direct start

Control system

Control type Portable control box
 Signal code Digital
 Transfer Cable/Radio

Weight

Weight of machine excluding attachment 3,050 kg; 6,724 lbs

Machine noise level

Sound power level L_{wa}, measured according to directive 2000/14/EC 93 dB(A)

*Max pump flow and max system pressure cannot be delivered at the same time as the engine will overload
 **Option for some special attachments
 ***Valid for 400V/50Hz

TOOLS

